

Revolving transport trolley JKB 8 K with locking mechanism

JUNG's agile and robust revolving transport trolley with JUWAmid castors. The JKB 8 K carries up to 8 t with only 110 mm height and locking mechanism.

Product number 14 081 085-P

Weight 64kg



Product description

Advantages of the revolving transport trolley JKB 8 K with locking mechanism and JUWAmid castors

- Optional connecting bars can be fixed without tools by clamping down on adapter.
- With locking mechanism: for fixing the castors in place so that the track is maintained even on uneven floors or when changing direction. The directional lock can be secured or released under load. Can be used for electrically powered chassis as a trailer or steering wheel, as the castors run true to track.
- High load capacity at low weight.
- Bearing supported swiveling castors allow 360° maneuverability.
- Mix and match revolving trolleys with transport trolleys: With an installation height of only 110 mm*, the rotating transport trolley JKB 8 is compatible with all steering and transport undercarriages of the K series.
- All products are also available in a set of two with price advantage.
- Unrivalled: The double roller system reduces rolling and turning resistance to a minimum.
- Using the slots in the platform, the trolleys JKB 8 K can be affixed to the load with standard tiedown belts.
- In addition, all the rotational trolleys have a platform center hole to allow attachment to the load.
- For choosing the adequate revolving trolley we recommend a load of two-third of the maximum capacity. This will be the most advantageous compromise between payload, ergonomics and handling of the devices.
- Pulling handle and connecting bars available as accessories.
- Inspected according to technical regulation ANSI ? ASME (USA)

*) Due to technical changes, there may be tolerances of up to + 4.5 mm in the installation height since 2014.

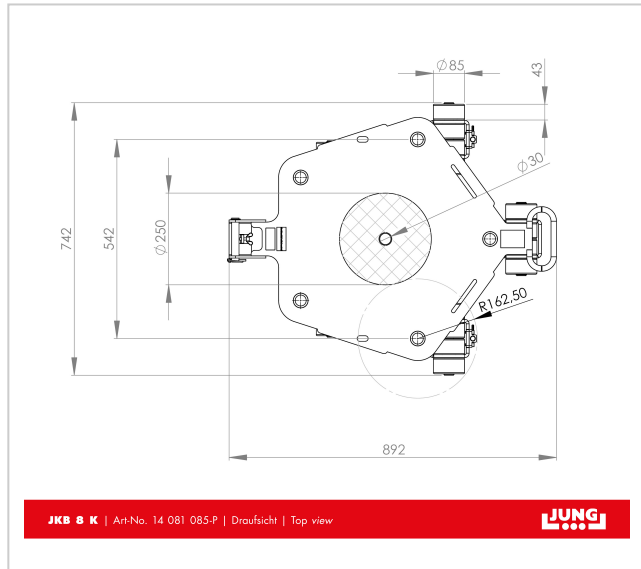
Product properties

Weight JUWAmid (kg)	65,5
Supporting surface per cassette (mm)	250
Load capacity (t)	8
Castor dimensions (Ø x l mm)	85 x 43
Height (mm)	110
Cassette dimensions (mm)	895 x 740
Consist of	1 x JKB 8 K
Load capacity (suitable)	6 - 10 t
Number of castors (Pieces)	20

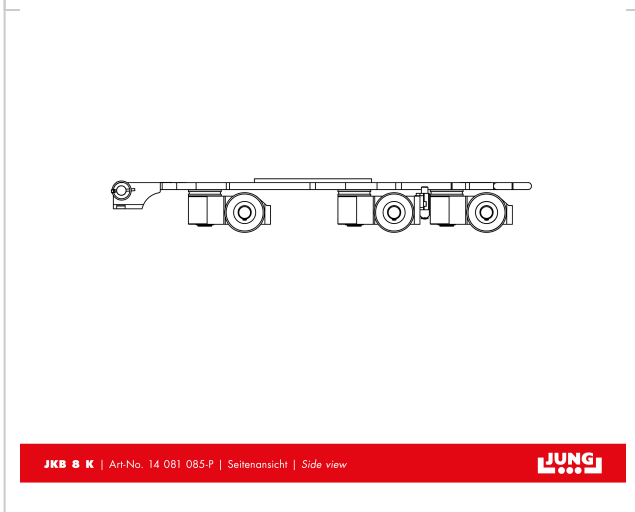
More images



Made by
JUNGC



JKB 8 K | Art.No. 14 081 085-P | Draufsicht | Top view



JKB 8 K | Art.No. 14 081 085-P | Seitenansicht | Side view

