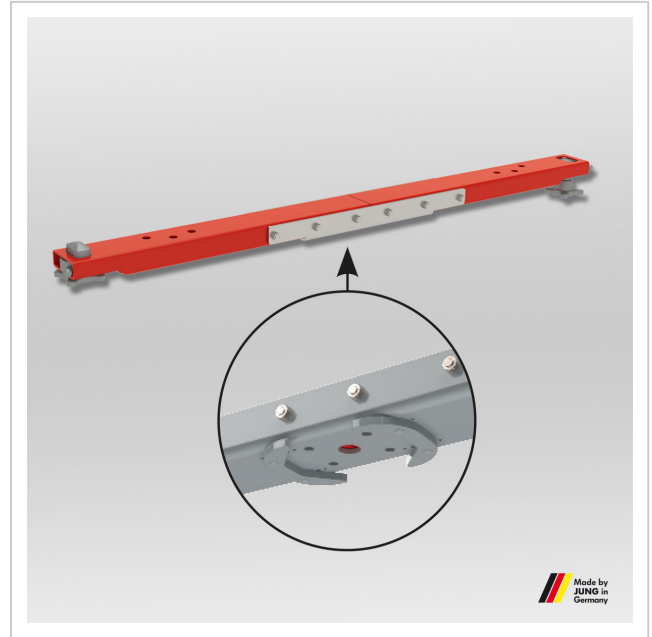


Container-traverse with adapter for trolleys

The container-traverse with turntable adapter is suitable for various types of transport trolleys.

Product number	92 000 226-T3
Weight	82kg
Length	2369mm
Width	210mm
Height	121mm



Product description

Container-traverse with adapter for trolleys T3 is designed for professional container handling and is suitable for the safe lifting, rotating, and positioning of ISO containers in accordance with international standards.

Advantages of the container-traverse with adapter for trolleys:

- Safe transportation of ISO containers and special containers up to 36 t (two container-traverses with a load capacity of 18 t each are required per container).
- Containers can be moved using electric powered transport trolleys.
- Containers can be transported with an extremely low installation height.
- Compatible with all ISO containers.
- Lockable twistlock design according to ISO dimension 2.26 m (not adjustable).
- Two-piece assembly for easy handling and storage.
- Optionally a trapezium drawbar can be adapted.
- Dimensions of the container-traverse remain within the container contour.
- The container-traverse with adapter for trolleys rests solely on the transport platform.

More images

